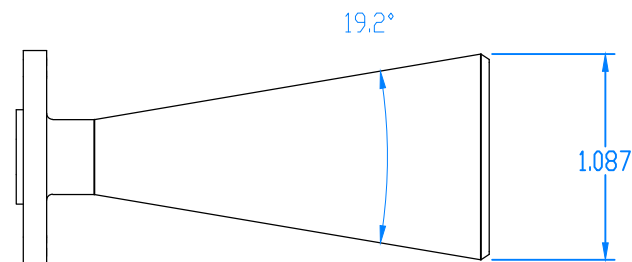
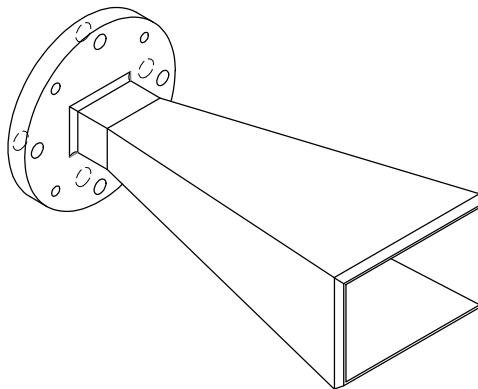
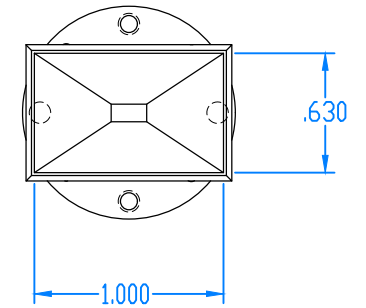
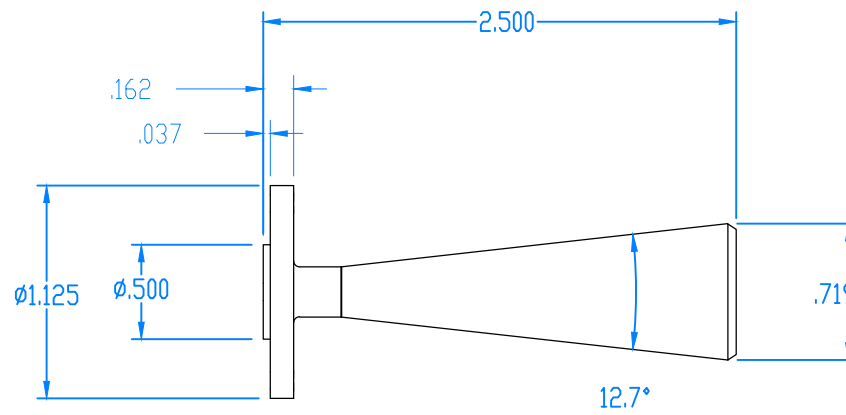
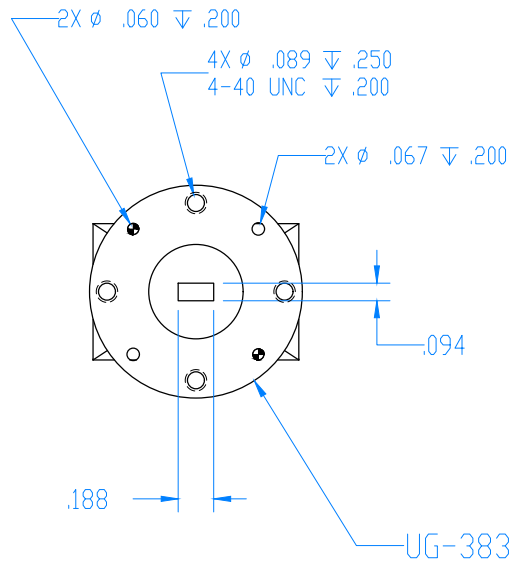
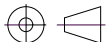


REVISIONS			
REV	DESCRIPTION	DATE	APPROVED
-	-	-	-



SECTION A-A

ALL DIMENSIONS ARE
 REFERENCE ONLY

DECIMALS: XXXX \pm .0005 XXX \pm .005 XX \pm .01	ANGLES: \pm 5 DEGREE	THIRD ANGLE PROJECTION		MATL: 6061 T6 ALUMINUM	<table border="1"> <tr> <td>DRAWN</td> <td>JV</td> <td>DATE</td> <td>7-27-18</td> </tr> <tr> <td>CHECKED</td> <td>MS</td> <td>DATE</td> <td>7-27-18</td> </tr> <tr> <td>ENG</td> <td>MS</td> <td>DATE</td> <td>7-27-18</td> </tr> </table>	DRAWN	JV	DATE	7-27-18	CHECKED	MS	DATE	7-27-18	ENG	MS	DATE	7-27-18	TITLE: Mi-Wave Millimeter Products Inc.	SIZE A	DWG. NO. 261U-20-383_24098	REV -	SCALE: 1:1	WEIGHT:	SHEET 1 OF 1
DRAWN	JV	DATE	7-27-18																					
CHECKED	MS	DATE	7-27-18																					
ENG	MS	DATE	7-27-18																					